



Strand Lighting

P R O D U C T D A T A

### Pulsar 650

Compact portable 650W floodlight with a strong and lightweight heat-resistant polyester/glass fibre housing. Variable beam is controlled by a focus knob at the rear of the unit. Supplied with 3.5 metres power cable with in-line switch, barndoor, and A1/233 650W lamp.

⚡ 650W ⚡ 230/240V ◀ 27.5° - 70° ⚖ 1.64kg  
 ✨ 4155 Lux ⚡ 3m ✂ 110mm dia. 📦 1.82kg  
 📦 0.008m<sup>3</sup> ✓ EN60 598 2-17

#### Cat. No. Description

21024	Pulsar, 240V lamp
21023	Pulsar, 230V lamp

### Pulsar Accessories

#### Cat. No. Description

43334	Additional A1/233 650W 240V lamp
43333	Additional A1/233 650W 230V lamp
28041	Safety glass in mount
28042	'Daylight' dichroic filter in mount
28301	Scrim set No.1 (full & half 50%; full & half 66%)
82700	Reflector Pack (gold)
82605	Handgrip
82602	Small Gaffer Grip 16mm Spigot
81001	Table stand with 16mm spigot
81003	Mercury stand, black
81005	Spartan Stand, black

### Redhead 800 & 1000

Lightweight and powerful open-faced variable focus floodlight constructed from heat-insulating glass fibre reinforced polyester plastics. Each model in the Redhead range comes complete with safety mesh and 3.5 metres of power cable with in-line switch and appropriate lamp.

⚡ 800W ⚡ 230/240V ◀ 47° - 87° ⚖ 1.3kg  
 ✨ 740 Lux ⚡ 6m ✂ 154mm 📦 1.54kg 📦 0.008m<sup>3</sup>  
 ✓ EN60 598 2-17

#### Cat. No. Description

21034	Redhead, 240V, 800W lamp, Stirrup, Barndoor, Accessory Holder
21033	Redhead, 230V, 800W lamp, Stirrup, Barndoor, Accessory Holder
21044	Redhead, 240V, 800W lamp, head only, Stirrup mount
21043	Redhead, 230V, 800W lamp, head only, Stirrup mount
21064	Redhead, 240V, 800W lamp, head only, Clamp mount
21063	Redhead, 230V, 800W lamp, head only, Clamp mount
21054	Redhead 1000 240V, 1000W lamp head only, Stirrup mount
21053	Redhead 1000 230V, 1000W lamp head only, Stirrup mount

### Redhead 800 & 1000 continued

21074	Redhead 1000 240V, 1000W lamp head only, Clamp mount
21073	Redhead 1000 230V, 1000W lamp head only, Clamp mount
21080	'Fire Brigade' Redhead, 24V, 250W lamp with safety glass.

### Redhead Accessories

#### Cat. No. Description

43134	Additional DXX 800W 240V lamp
43133	Additional DXX 800W 230V lamp
45220	Additional 24V 250W lamp (for 'Fire brigade' version)
43354	Additional P2/35 1000W 240V lamp (for 1000W version)
43353	Additional P2/35 1000W 230V lamp (for 1000W version)
28021	Accessory Holder
28022	4-leaf rotating barndoor
28023	Wire mesh guard, 3mm
28024	Safety glass in mount
28025	'Daylight' dichroic filter
28302	Scrim set No.2 (full & half 50%; full & half 66%)
82700	Reflector Pack (gold)
82605	Handgrip
82602	Small Gaffer Grip 16mm Spigot
81005	Spartan Stand, black
81007	Apollo Stand, black

### Blonde 2000

Powerful open-faced floodlight with a moving reflector focusing mechanism to vary the beam from 23° to 70° with even light distribution. Supplied complete with 5 metres of power cable with in-line switch, safety mesh, barndoor and 2000W FEX lamp.

⚡ 2000W ⚡ 230/240V ◀ 27° - 72° ⚖ 3.85kg  
 ✨ 1310 Lux ⚡ 10m 📦 4kg 📦 0.028m<sup>3</sup>  
 ✓ EN60 598 2-17

#### Cat. No. Description

21104	Blonde, 2000W 240V
21103	Blonde, 2000W 230V

### Blonde Accessories

#### Cat. No. Description

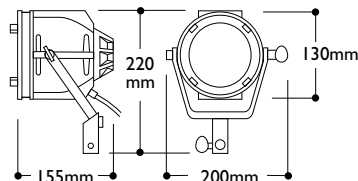
43274	Additional FEX 2000W 240V lamp
43273	Additional FEX 2000W 230V lamp
28050	Barndoor, 4-leaf rotating
28051	Wire mesh guard, 3mm
28053	Safety glass in mount
28054	'Daylight' dichroic filter
28304	Scrim set No.4 (full & half 50%; full & half 66%)
82700	Reflector Pack (gold)
82603	Large Gaffer Grip 16mm Spigot
81009	Trojan stand, black
81011	Hercules stand, black, with castors

# 2.5.5

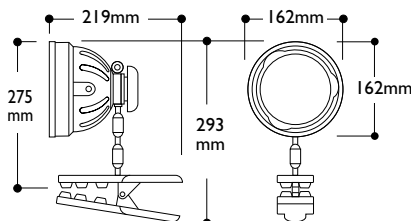
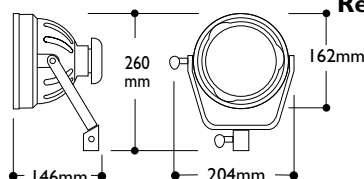
P O R T A B L E S

## PULSAR™ 650W REDHEAD™ 800W & 1000W BLONDE™ 2000W

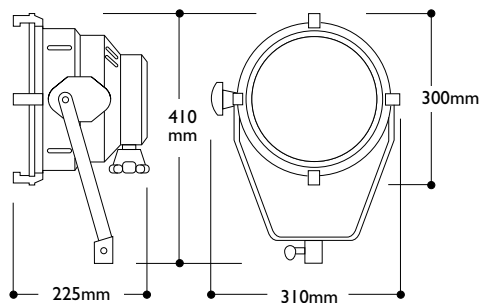
Pulsar 650W



Redhead 800 or 1000W



Blonde 2000



- A range of lightweight and compact open - faced focusing floodlights
- Ideal for ENG, location and video lighting
- Quick and easy to use focus controls
- Range of accessories available
- Also featured in a number of QuartzColor portable kits (See separate Data Sheet)
- All units supplied complete with lamp and 4-leaf barndoor

### A GUIDE TO SYMBOLS AND ABBREVIATIONS

**GENERAL** ⚡ Supply voltage ⚡ Current rating ⚖ Weight of product 📦 Packed weight 📦 Packed volume  
 ✨ Overall dimension of product ✓ Compliance with international standards. ⚡ Watts (maximum recommended) ◀ Beam angle ⚡ Throw (usual working distance from subject in metres) ✨ Illuminance (maximum lux at throw distance stated with lamp recommended or supplied) ✂ Colour filter cut size  
 ENG Electronic News gathering IP International Protection (Ingress protection standard for dust, solids and moisture) IEC529

**Photometric Data**

Typical performance based on A1/223 650W lamp

**Pulsar 650W**

Throw (metres)	2		3		4		5	
	Lux	Ø	Lux	Ø	Lux	Ø	Lux	Ø
<b>Flood 70°</b>	2030	2.8	900	4.2	500	5.6	325	7.0
<b>Spot 27.5°</b>	9350	1.0	4155	1.5	2340	2.0	1500	2.5

Flood: Performance at any distance  $8130 \div \text{Distance}^2$ Spot: Performance at any distance  $37400 \div \text{Distance}^2$ 

Typical performance based on P2/13 800W lamp

**Redhead 800W**

Throw (metres)	2		3		4		5		6	
	Lux	Ø	Lux	Ø	Lux	Ø	Lux	Ø	Lux	Ø
<b>Flood 87°</b>	2095	3.8	910	5.7	515	7.6	330	9.5	230	11.4
<b>Spot 47°</b>	6675	1.7	2970	2.6	1670	3.5	1070	4.4	740	5.2

Flood: Performance at any distance  $8220 \div \text{Distance}^2$ Spot: Performance at any distance  $26700 \div \text{Distance}^2$ 

Typical performance based on P2/35 1000W lamp

**Blonde 2000W**

Throw (metres)	3		4		5		6		7	
	Lux	Ø	Lux	Ø	Lux	Ø	Lux	Ø	Lux	Ø
<b>Flood 85°</b>	1290	5.5	725	7.3	465	9.2	320	11.0	240	12.8
<b>Spot 44.5°</b>	-	-	2300	3.3	1470	4.1	1020	4.9	750	5.7

Flood: Performance at any distance  $11600 \div \text{Distance}^2$ Spot: Performance at any distance  $36700 \div \text{Distance}^2$ 

Typical performance based on FEX 2000W lamp

**Blonde 2000W**

Throw (metres)	3		4		5		6		7	
	Lux	Ø	Lux	Ø	Lux	Ø	Lux	Ø	Lux	Ø
<b>Flood 72°</b>	2780	4.4	1560	5.8	1000	7.3	695	8.7	510	10.2
<b>Spot 27°</b>	14600	1.4	8190	1.9	5240	2.4	3640	2.9	2670	3.4

Flood: Performance at any distance  $25000 \div \text{Distance}^2$ Spot: Performance at any distance  $131000 \div \text{Distance}^2$ **Lamp Data**

	Pulsar	Redhead 800	Redhead 1000	Redhead 2000
<b>Watts</b>	650W	800W	1000W	2000W
<b>Designation</b>	A1/233	P2/13	P2/35	P2/27
<b>Base</b>	GZ9.5	R7s	R7s	R7s
<b>Lumens</b>	16500	21400	26500	50000
<b>Rated Life-Hours</b>	50	75	150	300
<b>Colour Temp</b>	3200K	3200K	3200K	3200K

Note: A 250W, 24V lamp is available for the Fire Brigade Redhead.

**Electrical Data**

<b>Supply Voltage</b>	230/240V 50/60Hz
<b>Cable and Switching</b>	Pulsar & Redhead: 3.5m x 1.5mm <sup>2</sup> cable with in-line switch. Blonde: 5.5m x 2.5mm <sup>2</sup> cable with in-line switch.
<b>Standards Compliance</b>	EN60 598 2-17.

**Environmental Data**

<b>Max Operating Ambient Temp</b>	45°F
<b>IP Rating:</b>	IP20
<b>Tilt/Recommended angles of use</b>	90° - 0 - 90°



**London:** Strand Lighting Ltd, Grant Way, Isleworth, Middlesex, TW7 5QD, United Kingdom.  
Tel: +44 (0)181 560 3171 Fax: +44 (0)181 568 2103

**Wolfenbüttel:** Strand Lighting GmbH, Salzbergstraße 2, 38302 Wolfenbüttel, Germany.  
Tel: +49 (0) 5331 3008-8 Fax: +49 (0) 5331 78883

**Rome:** Strand Lighting Srl, Via delle Gardenie 33, Pontina Vecchia Km 33,400, 00040 Pomezia-Roma, Italy  
Tel: +39 (0) 6 914 7123 Fax: +39 (0) 6 914 7136

**Brussels:** Strand Lighting Ltd, Chaussée de Haecht 1801, 1130 Bruxelles, Belgium  
Tel: +32 (0) 2 245 8686 Fax: +32 (0) 2 245 2235

**Stockholm:** Strand Lighting Ltd, Box 20105, Tappvägen 24, 161 02 Bromma, Sweden  
Tel: +46 (0) 8 799 6950 Fax: +46 (0) 8 799 6954

ALSO FACILITIES IN: LOS ANGELES • NEW YORK • HONG KONG • MILANO • MUNICH • BERLIN

© Copyright Strand Lighting Limited November 1995

**Mechanical Data**

<b>Paint/Finish</b>	Redhead & Pulsar: Self-coloured. Blonde: Heat resistant yellow paint
<b>Lamp House</b>	Pulsar; Redhead: Self-coloured, lightweight heat resisting glass reinforced polyester resin. Blonde: Pressed steel and aluminium.
<b>Reflector</b>	Compound parabolic anodised aluminium specially textured for smooth beam distribution.
<b>Mounting/Suspension</b>	Blonde: Cast aluminium stirrup with 16mm socket. Pulsar and Redhead: Glass reinforced plastic stirrup with 16mm socket.

**Weights and Dimensions**

	Pulsar	Redhead	Blonde
<b>Weight:</b>	1.64kg	1.33kg	3.85kg
<b>Height:</b>	220mm	260mm	410mm
<b>Length:</b>	155mm	146mm	225mm
<b>Width:</b>	200mm	204mm	310mm

**Operational Data**

<b>Lamp Access</b>	After removal of safety mesh or glass.
<b>Focus Adjustment</b>	Pulsar & Redhead: By rear facing rotary control and helical screw mechanism. Blonde: Rotary control on the underside of the fixture moves reflector relative to the lamp.
<b>Accessory Fitting</b>	Redheads: By detachable accessory holder. Pulsar & Blonde: Integral accessory holder.

All the above lights are featured in kit form, catering to the needs of the film, television and video industries. Ask for appropriate Data Sheet from your Strand Lighting dealer or Representative.

The Company reserves the right to make any variation in design or construction to the equipment described. © Strand Lighting Ltd 1995. Strand™, Strand Lighting™, Pulsar™, Blonde™ and Redhead™ are trade marks of Strand Lighting Limited and Strand Lighting Inc. Strand Lighting is a company within the Film & Television Division of The Rank Organisation Plc, United Kingdom. Country of origin Italy.